

NEC MobilePro 750C
User's Guide

PROPRIETARY NOTICE AND LIABILITY DISCLAIMER

The information disclosed in this document, including all designs and related materials, is the valuable property of NEC Computer Systems Division, Packard Bell NEC, Inc. (NECCSD, PBNEC) and/or its licensors. NECCSD and/or its licensors, as appropriate, reserve all patent, copyright and other proprietary rights to this document, including all design, manufacturing, reproduction, use, and sales rights thereto, except to the extent said rights are expressly granted to others.

The NECCSD product(s) discussed in this document are warranted in accordance with the terms of the Warranty Statement accompanying each product. However, actual performance of each such product is dependent upon factors such as system configuration, customer data, and operator control. Since implementation by customers of each product may vary, the suitability of specific product configurations and applications must be determined by the customer and is not warranted by NECCSD.

To allow for design and specification improvements, the information in this document is subject to change at any time, without notice. Reproduction of this document or portions thereof without prior written approval of NECCSD is prohibited.

NEC is a registered trademark and MobilePro is a trademark of NEC Corporation, used under license.

Microsoft and Windows are registered trademarks of Microsoft Corporation in the U.S.A., and/or other countries.

All other product, brand, or trade names used in this publication are the property of their respective owners.

First Printing — March 1998

Copyright 1998

NEC Computer Systems Division, Packard Bell NEC, Inc.

1414 Massachusetts Avenue

Boxborough, MA 01719

All Rights Reserved

Contents

Using this Guide

Text Conventions v

1 Quick Start

Features Overview 1-1
About Quick Start 1-2
 Using Your MobilePro H/PC for the First Time 1-2
 Installing the Batteries 1-3
 MobilePro Quick Setup 1-5
 Windows CE Services Desktop Software Installation 1-6
 MobilePro H/PC Software CD Installation 1-7

2 Getting Familiar with Your MobilePro 750C

What's in the Box 2-2
Introducing MobilePro Features 2-2
Opening the Display Panel 2-6
Using the Stylus 2-7
 Recharging the Main Battery Pack 2-8
 Battery Replacement 2-9
 Main Battery 2-10
 Back-Up Battery 2-12
 Battery Precautions 2-16
Taking Care of the MobilePro 2-17
 Precautions 2-18
 Storage Requirements 2-19
 Routine Cleaning 2-20

3 Using the MobilePro

Powering On and Off 3-2
Making Display Panel Adjustments 3-3
 Contrast 3-3
 Backlight 3-4

Application Shortcut Keys	3-5
Assigning Application Shortcut Keys	3-6
Enabling the Display Linkage Switch	3-8
Voice Recording	3-9
Using the Voice Recorder.....	3-10
PC Cards.....	3-10
Inserting PC Cards.....	3-10
Removing PC Cards	3-12
Compact Flash Cards.....	3-12
Inserting Compact Flash Cards	3-13
Removing Compact Flash Cards	3-14
Transferring Data	3-15
Connecting External Devices.....	3-16
Connecting the AC Adapter.....	3-16
Connecting the PC Connect Cable.....	3-17
Connecting the VGA Cable.....	3-19
Connecting the Internal Modem.....	3-21
Remote Access Service Setup.....	3-22
Printing Your Documents.....	3-24
Upgrading ROM/RAM	3-24
Resetting the MobilePro.....	3-25

4 Troubleshooting

5 Specifications

A Modem Commands

Index

Using this Guide

This guide introduces you to your NEC MobilePro™ Handheld Personal Computer (H/PC). Read the following sections.

- Chapter 1, Quick Start, provides all the information you need to get your MobilePro 750C working and synchronized with your desktop or notebook computer.
- Chapter 2, Getting Familiar with Your MobilePro 750C, introduces you to your MobilePro features, battery installation, the display panel, and general unit care.
- Chapter 3, Using the MobilePro, shows you how to power on and off, make display panel adjustments, connect external devices, and more.
- Chapter 4, Troubleshooting, walks you through some common problems and possible solutions.
- Chapter 5, Specifications, details the hardware specifications for your MobilePro.

Read this user's guide to become familiar with your MobilePro. For software operation details, see the software guide that comes with the unit.

TEXT CONVENTIONS

To make this guide as easy to use as possible, text is set up as follows.

- Warnings, cautions, and notes have the following format:

 **WARNING**

Warnings alert you to situations that could result in serious personal injury or loss of life.

 **CAUTION**

Cautions indicate situations that can damage the system hardware or software.



Notes give particularly important information about whatever is being described.

- Names of keys are printed as they appear on the keyboard, for example, **Ctrl**, **Alt**, or **Enter**.
- Text that you must type or keys that you must press are presented in bold type. For example, type **dir** and press **Enter**.

1 Quick Start

Congratulations and thank you for purchasing the NEC MobilePro Handheld PC (H/PC). This chapter shows you how you can quickly setup and begin to use it either on its own or as a powerful desktop companion.

FEATURES OVERVIEW

Your new MobilePro 750C has the following *key* features:

- A 256-color LCD screen, with a backlight key on the keyboard that lets you toggle between standard (low) or full backlight.
- A large keyboard for true "*touch typing*"
- A Compact Flash™ slot
- A PC Card slot for Type I or Type II PC Cards
- 16 MB RAM (upgradeable to 32 MB)
- An AC adapter for running your MobilePro H/PC using AC power
- A low-power, hardware-based 33.6 Kbps fax/modem
- A microphone and speaker for digital voice recording and playback

ABOUT QUICK START

The MobilePro 750C H/PC uses the Microsoft® Windows® CE 2.0 operating system, which has a user interface very similar to the Microsoft Windows 95 and Microsoft Windows NT operating systems. This chapter assumes that you are already familiar with at least one of these operating systems.

Our purpose here is to get you very quickly up to speed with your new MobilePro. The information in this chapter has intentionally been kept concise. References are included to the other areas where you can find more detailed information.



For additional product information, please reference the Readme file on the MobilePro H/PC Software CD or the Readme First sheet in the carton box.

Using Your MobilePro H/PC for the First Time

The MobilePro requires two types of batteries:

- 1 rechargeable Lithium-Ion (Li-Ion) main battery
- 1 CR2032 3-volt coin cell backup battery

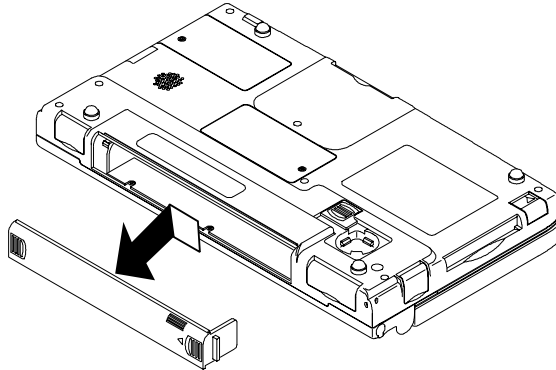


CAUTION

When using the MobilePro for the first time, install and charge the main battery before removing the protective insulating tab from the backup battery compartment.

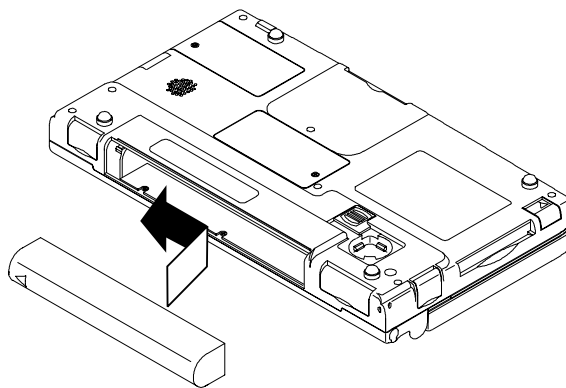
Installing the Batteries

1. Slide the main battery cover lock to the unlocked position.
2. Slide the main battery bay cover toward the arrow and remove it.



Opening the main battery bay cover

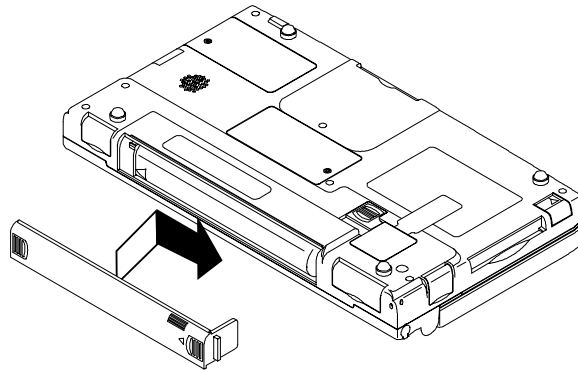
3. Put the Lithium-Ion battery pack in the bay. Slide the battery toward the arrow.



Inserting the battery

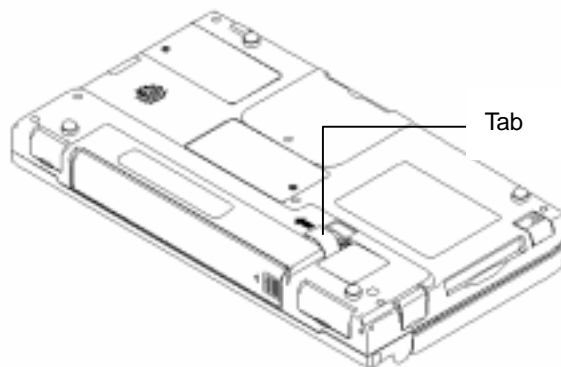
4. Firmly press the battery until it is secure.

-
5. Replace the main battery bay cover.



Replacing the main battery bay cover

6. Slide the battery cover lock to the locked position.
7. Remove the backup battery protective insulating sheet by firmly pulling on the sheet tab that protrudes from the backup battery compartment.



Removing the insulating sheet

 **CAUTION**

Be sure to read the section “Battery Precautions” for important battery handling information.



You can only operate the MobilePro H/PC when the battery cover lock is in the locked position.

For optimum data protection, be sure to install both the main battery and the back-up battery before turning on the power.

To ensure maximum performance, the battery pack included with your MobilePro comes charged to only 50% capacity from the factory. You must charge the battery prior to using it for the first time. See “Re-charging the Main Battery Pack” in Chapter 2.

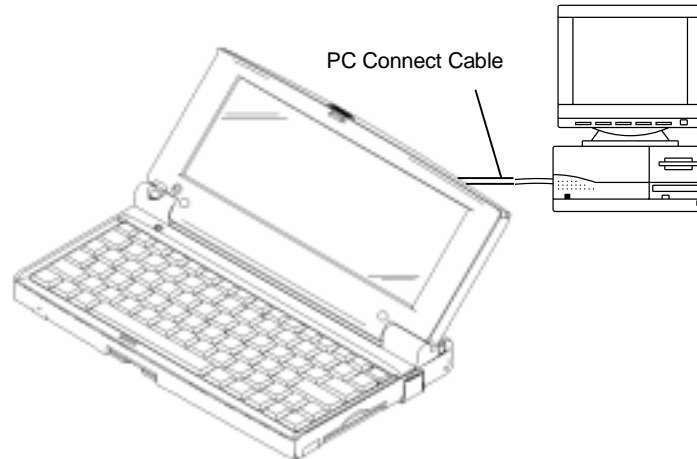
MobilePro Quick Setup

Open your MobilePro so that you can access the keyboard and view the LCD display. The system automatically powers on and brings you to the Setup Wizard.

The Setup Wizard guides you through the initial configuration of the MobilePro. A step-by-step process lets you:

- Calibrate the touch screen
- Set your local and visiting Time Zones
- Set the system Time and Date
- Enter owner identification information

After the Setup Wizard completes, you are ready to configure the MobilePro to partner with your desktop (or notebook) computer. Before continuing, connect the MobilePro PC Connect serial cable to an available 9-pin serial port on your desktop (or notebook) computer. Plug the other end into the serial port at the back of the MobilePro.



Connecting the cable to the computer

Windows CE Services Desktop Software Installation



Your desktop (or notebook) system must be running Windows 95 or Windows NT 4.0 in order to use the Windows CE 2.0 Desktop Services Software.

Microsoft Windows CE Services Desktop software provides the key features for transferring and synchronizing information between your MobilePro and desktop (or notebook) system. You should install it before installing any other Windows CE software.

Insert the “Desktop Software for Microsoft Windows CE” CD. If your system is configured for auto-insert notification, the Setup program is automatically launched. Otherwise, manually run the Setup program in the main directory.

The Setup program guides you through the steps that will let your system communicate with the MobilePro.

MobilePro H/PC Software CD Installation



Your desktop system must be running Windows 95 or Windows NT 4.0 in order to use the MobilePro H/PC Software Suite.

Insert the MobilePro H/PC Software CD. Run the Setup program in the main directory.

The Setup program guides you through the steps to install the bonus software applications.

2

Getting Familiar with Your MobilePro 750C

Your NEC MobilePro™ Handheld PC (H/PC) lets you:

- Edit, create, send, and receive documents including spreadsheets and e-mail
- Manage your schedule and contacts
- Access the Internet with the internal modem
- Synchronize data with your notebook or desktop computer.

This chapter introduces you to the MobilePro features, display panel, stylus, and complete battery installation procedures.



Before using your MobilePro, read this chapter for details about installing the batteries. Do not attempt to use the unit without the batteries installed. Be sure you have completed all the steps in Chapter 1, "Quick Start."

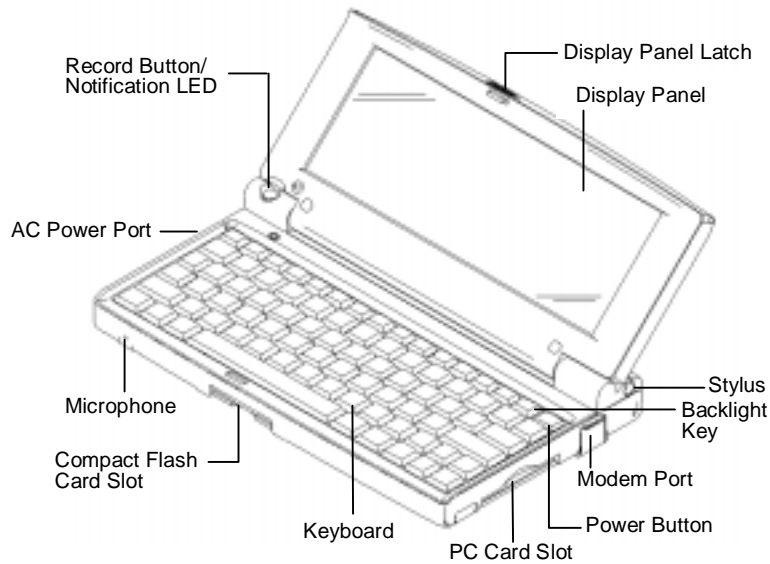
WHAT'S IN THE BOX

Your MobilePro ships with a number of accessories. When you unpack the MobilePro, check that you have all of the items listed below and that they are in good condition. If anything is missing or damaged, immediately contact the vendor who sold you the unit.

- MobilePro 750C (a stylus ships in a holder in the MobilePro)
- MobilePro AC Adapter
- MobilePro VGA Cable
- MobilePro PC Connect Cable (serial cable)
- MobilePro Modem Cable (telephone cable)
- One (1) rechargeable Lithium-Ion Battery Pack (main battery)
- One (1) CR2032 Back-Up Battery (backup or sub-battery, installed)
- Microsoft Windows CE Services 2.0 CD-ROM and *Microsoft Windows CE PC Companion User's Guide*
- MobilePro H/PC Software CD containing NEC bonus software applications
- *MobilePro 750C H/PC User's Guide* (this document)
- *NEC MobilePro H/PC Resource Guide*

INTRODUCING MobilePro FEATURES

The MobilePro provides many features that you can see in the following figures. Feature descriptions follow each figure. The front and side of the unit is shown first.

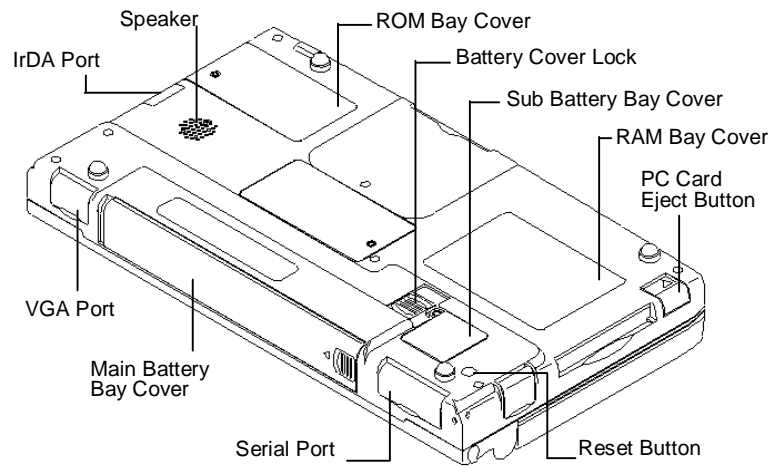


Front and side features

- Display Panel Latch — secures the display panel when it is closed.
- Display Panel (with built-in touch screen) — provides a clear view of information stored or input into the unit. The touch screen lets you activate functions by touching the screen with the stylus.
- Stylus — a “pen” providing a means of input to use on the touch screen. Pull the stylus out of the holder to use it.
- Backlight Key — toggles the backlight between standard and full settings.
- Modem Port — provides connection access to the internal modem using the modular modem cable.

-
- Power Button — allows you to power on and off the unit when it is open.
 - PC Card Slot — lets you install one Type I or Type II PC Card.
 - Keyboard — gives you a means of entering data using your fingertips.
 - Compact Flash Card Slot — lets you install one Compact Flash Card.
 - Microphone — lets you record your voice.
 - AC Power Port — lets you connect the AC adapter to run your unit on AC power.
 - Record Button — allows you to start/stop digital voice recording.
 - Notification LED — this light flashes as a reminder of appointments. It is located within the Record button. (See your *Microsoft Windows CE Handheld PC (H/PC) User's Guide* for details on setting up appointments.)

The bottom and back of the MobilePro also include a number of important features. These are shown in the following figure and described after the figure.



Bottom view

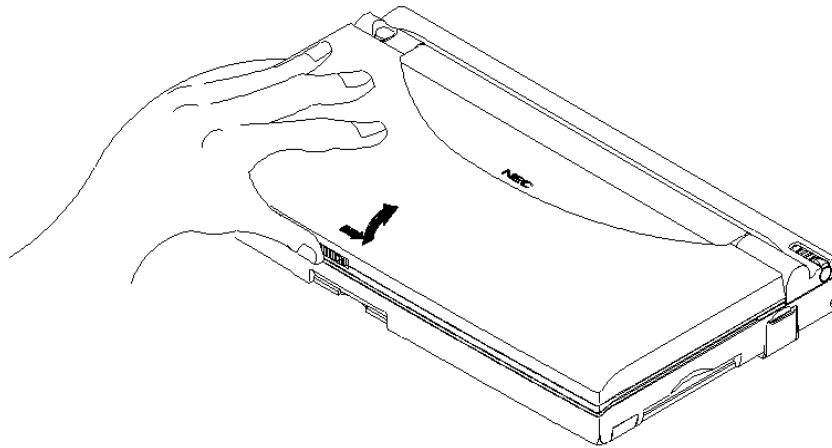
- ROM Bay Cover — protects the ROM bay and the installed ROM boards.
- Battery Cover Lock — secures the cover that protects the main battery and back-up battery bays.
- Sub Battery (back-up battery) Bay Cover — protects the back-up battery and the back-up battery bay.
- RAM Bay Cover — protects the RAM bay and the installed RAM boards.
- PC Card Eject Button — allows you to remove an installed PC card.
- Reset Button — lets you do a “Soft Reset” to the MobilePro in case of malfunctions. Your data is preserved if it has been saved in a file.
- Serial Port — provides a connection point for the PC connect serial cable.

-
- Main Battery Bay Cover — protects the main battery bay and the installed battery.
 - VGA Port — provides a connection point for the VGA cable.
 - Infrared (IrDA) Port — allows the MobilePro to communicate without cables with similarly equipped devices, including other MobilePros.
 - Speaker — lets you listen to digital audio. You can program MobilePro audio to remind you of appointments, notify you of operation events, or play application-associated sounds. (See your *Microsoft Windows CE Handheld PC (H/PC) User's Guide* for details.)

OPENING THE DISPLAY PANEL

Open the Display Panel as follows.

1. Slide the display panel latch to the right.
2. Lift the display panel up and towards the back of the unit.



Opening the display panel

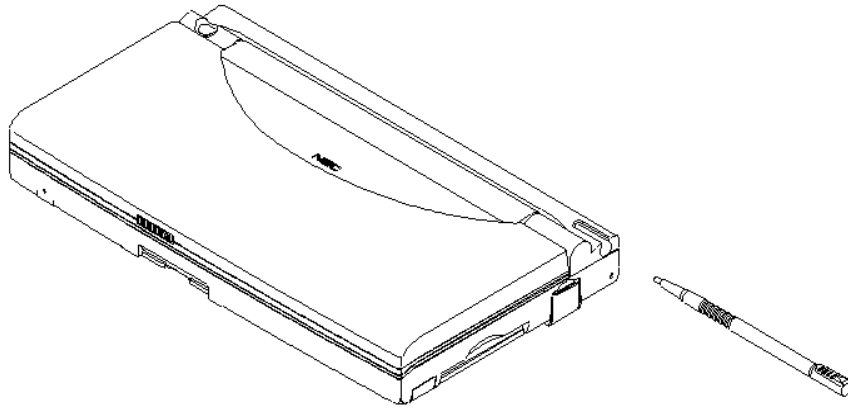
 **CAUTION**

When the MobilePro H/PC is not in use or when you are carrying it, keep the display panel closed. This helps prevent accidental damage to the touch screen or keyboard.

USING THE STYLUS

To use the stylus, follow these steps.

1. Locate the stylus holder on the back right of the MobilePro. To remove the stylus, slide it away from the unit.
2. Open the MobilePro display panel.



Using the stylus



CAUTION

Never use a device other than an approved stylus with your MobilePro H/PC. Hard-pointed or sharp objects can damage the touch screen.

3. Gently touch the pointed tip of the stylus to select an object on the screen. When you are done using the stylus, return it to its convenient holder on the MobilePro.

Recharging the Main Battery Pack

The main battery pack contains rechargeable Lithium-Ion cells. Recharge a battery pack when you see the following message.

Main Batteries Very Low

To recharge a battery pack installed in the battery bay, connect the AC Adapter. See “Connecting the AC Adapter” in Chapter 3.

It takes approximately 4.5 hours to recharge a fully depleted battery pack regardless of the system power state.



Through normal use, the capacity of a battery pack will gradually decline. Should you notice that the battery does not stay charged as long as expected, it is probably necessary to replace the battery with a new one. Please refer to the section "Battery Replacement" in this chapter. A battery pack should recharge approximately 300 times during the life of the battery.

Battery Replacement

Note the following when replacing batteries:

- If the main battery becomes weak, the MobilePro automatically turns off. Recharge or replace the main battery immediately if the power goes off.
- When replacing the back-up battery, always use a CR2032 battery.

A black triangle with a white exclamation mark inside, indicating a warning.

WARNING

Only use a CR2032 battery as your back-up battery. Installing another battery type can result in an explosion or fire.

See "Battery Precautions" later in this chapter, for more battery handling information.

- If you fail to replace a depleted main battery for an extended period of time and the back-up battery is weak, the contents of the MobilePro memory may be lost.

-
- If you use the MobilePro without the back-up battery installed, MobilePro memory may be unstable. The contents of MobilePro memory may be lost if the main battery is removed.
 - Always back up your data onto your notebook or desktop computer before replacing the back-up battery.

Main Battery

Should you notice the life of a charged battery pack is short, replace it with a new one. Follow these instructions below to replace a battery pack.

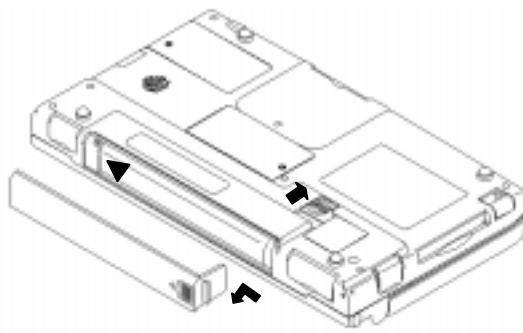
1. Save your data, turn off unit power, and close the display panel. Disconnect any cables attached to the unit, such as the AC adapter cable.



If you receive messages indicating that both the main battery and the sub-battery (back-up battery) are very low, replace the back-up battery first.

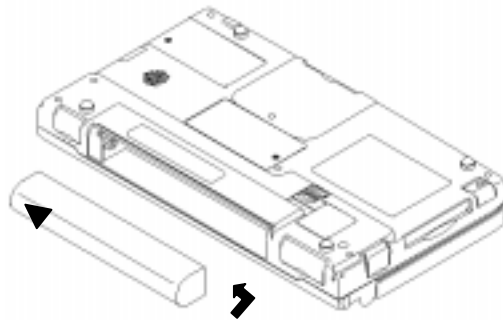
If a drained main battery is not replaced, the back-up battery drains more quickly than normal.

2. Have a new Lithium-Ion battery pack available.
3. Slide the battery cover lock to the unlocked position.
4. Slide the main battery bay cover toward the arrow and remove the cover.



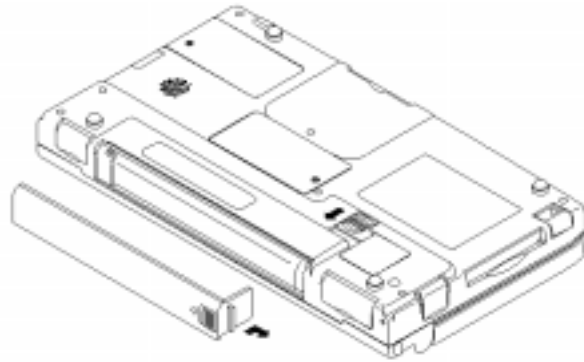
Opening the battery bay cover

5. Slide the battery away from the arrow on the battery and remove the battery.
6. Put the new Lithium-Ion battery pack in the bay. Slide the battery in the direction of the arrow.



Inserting the battery

7. Firmly press the battery until it is securely in the bay.
8. Replace the main battery bay cover and slide the battery cover lock to the locked position.



Replacing the bay cover



The unit only operates when the battery cover lock is in the locked position.

Back-Up Battery

A low battery message appears when back-up battery power is depleted. Be sure to replace the back-up battery immediately as described next.

1. When you see the following message, the back-up battery must be replaced.

Backup Battery Very Low

Save your data, turn off unit power, remove the stylus, and close the display panel.



If you receive messages indicating that both the main battery and the sub-battery (back-up battery) are very low, replace the back-up battery first.

If a drained main battery is not replaced, the back-up battery drains more quickly than normal.

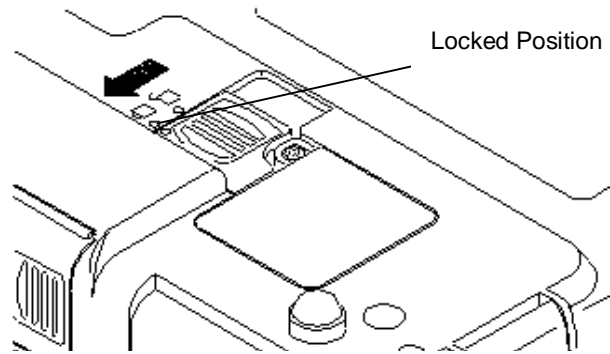
2. Disconnect any cables attached to the unit, such as the AC adapter cable.
3. Have a new back-up battery available.

**WARNING**

Only replace the back-up battery with a CR2032 Lithium battery.

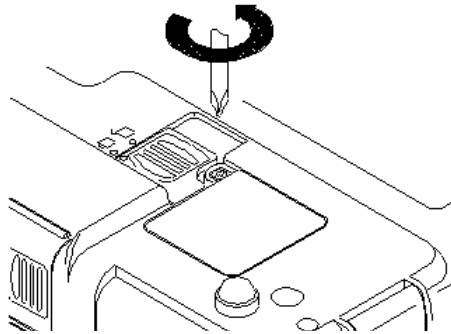
Using another battery type can result in an explosion or fire.

-
4. Turn the unit over and locate the battery cover lock on the bottom of the MobilePro. Slide the lock to the unlocked position.



Releasing the Battery Cover Lock

5. Using a small screwdriver, remove the screw and sub-battery bay cover.

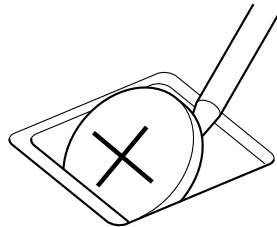


Removing the bay cover



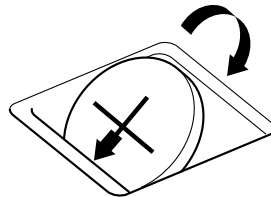
When you loosen the screw, you can remove the sub-battery bay cover by loosening the screw for five rounds. It is not necessary to remove the screw completely.

6. Use the stylus to remove the drained battery from the bay.



Removing the battery

7. Angle the new battery into the bay and insert it with the positive (+) notation facing up.



Inserting the battery

8. Replace the sub-battery bay cover and slide the lock to the locked position.
9. Tighten the screw to secure the bay cover.

Battery Precautions

Read the following battery handling precautions to insure your safety.

WARNING

Heed these warnings when handling batteries. Failure to do so may result in personal injury.

- There is a danger of explosion if the battery is incorrectly replaced. Replace only with the same type recommended by the manufacturer.
- The CR2032 battery may explode if mishandled. Do not recharge, disassemble, or dispose of the back-up battery by burning it.
- Discard used batteries according to the manufacturer's instructions. Never dispose of batteries by burning them.
- Dispose of used batteries promptly.
- Keep batteries away from children.
- Do not subject batteries to impact.
- Do not subject batteries to heat sources including direct sunlight, open fires, microwave ovens, and high-voltage containers.
- Do not recharge batteries unless they are specifically designed for recharging.
- Do not disassemble batteries.
- Do not solder or puncture batteries.

 **WARNING (cont'd)**

- Do not use a battery that is damaged or deformed, has any rust on its casing, is discolored, overheats, or emits a foul odor.
- To prevent data loss, always replace weak batteries as soon as possible. Replace the back-up battery first. Always use the MobilePro H/PC with a back-up battery.

TAKING CARE OF THE MobilePro

The NEC MobilePro is a durable, dependable unit built for extensive use and travel. Follow these guidelines to maintain the condition and performance of your MobilePro.

 **CAUTION**

Immediately turn off and unplug the MobilePro under the following conditions:

- The power cord is damaged or frayed.
- Liquid spills on or into the unit.
- Someone drops the unit or damages the casing.

Precautions

Follow these precautions when using your MobilePro and AC adapter.

- Always plug the AC adapter cord into an easily accessible outlet. It is important to be able to easily shut off power by unplugging the AC adapter if needed.
- Avoid dropping or bumping the MobilePro or the AC adapter.
- Do not stack heavy objects on the MobilePro or the AC adapter.
- When using the AC adapter, make sure the power source falls within the unit's compatible range of 100–240 volts AC. Never use the AC adapter if the voltage falls outside of this range. (Watch for this when traveling to other countries.)
- Turn off the MobilePro power before attaching or removing devices.
- Do not push any foreign objects into the MobilePro bays, connectors, and slots.
- Avoid using the unit or AC adapter for extended periods in direct sunlight.
- Do not use the unit in humid or dusty environments.
- Turn off the MobilePro power before cleaning the system.
- Avoid exposing the MobilePro or AC adapter to extreme changes in temperature or humidity. If it is unavoidable, allow your MobilePro to adjust to room temperature before use.

-
- When cleaning the system, use a soft, clean, dry cloth. Avoid wiping the display surface with abrasive material, including rough fabric. Do not use a cleaning solution; this may damage the plastic.
 - If the AC adapter becomes extremely hot, unplug the adapter and let it cool.
 - Keep the AC adapter away from the IrDA port to ensure stable communication/transfer operations.

Storage Requirements

Store the MobilePro and AC adapter in an environment that meets the following conditions:

- Maintain storage temperatures between 14°F and 140°F (–10°C and 60°C).



CAUTION

If the temperature of the MobilePro suddenly rises or falls (for example, when you move the system from a warm place to a cold place) vapor condenses inside the system. Turning on the unit under this condition can damage the internal system components.

Before turning on the MobilePro, wait until the unit's internal temperature equalizes with the new environment and any internal humidity can evaporate.

- Keep the storage area free from vibration and magnetic fields.
- Keep the unit and its components away from organic solvents or corrosive gases.
- Avoid leaving the unit and its components in direct sunlight or near heat sources.

Routine Cleaning

Clean or dust your system as follows.



CAUTION

Never use harsh solutions, household cleaners, or spray cleaners that contain caustic materials on the MobilePro.

These cleaners are usually high in alkalinity, which is measured in pH. Using these cleaners can cause the plastic surface to crack or discolor.

- Display screen — Carefully wipe the LCD screen with a soft cloth or a screen wipe designed for that purpose. Special screen wipes are available through your local computer dealer.
- Unit case — NEC recommends that you carefully wipe the case with a slightly damp, almost dry cloth.

3

Using the MobilePro

This chapter details how to use the MobilePro. (See the software manual that came with the unit for additional software operating instructions.) Instructions include how to:

- Power on and off
- Make display panel adjustments
- Set application shortcut keys
- Record audio
- Install PC cards
- Install Compact Flash™ cards
- Transfer data using the IrDA port
- Connect the cables for the modem, VGA, and serial ports
- Configure Inbox for remote dial-up
- Print using Microsoft Pocket applications
- Upgrade ROM/RAM
- Reset the MobilePro.



As a general operation rule, frequently back up and synchronize data between your MobilePro H/PC and your desktop or notebook computer.

POWERING ON AND OFF

Power on the MobilePro as follows.

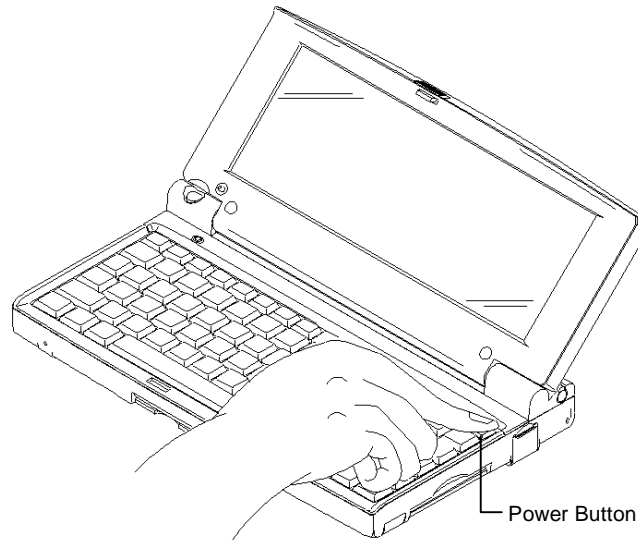
1. Slide the display panel latch to the right. Lift the display panel up towards the rear of the unit.



CAUTION

Do not push the display panel beyond its pre-designed stop point as you open the panel.

2. Locate and press the Power button. To power off the unit, press the Power button a second time.



Powering on and off the MobilePro



The first time you install the main battery, the MobilePro automatically powers when you open the display panel.

The first time you power on the MobilePro H/PC, screen contrast may need adjustment. Follow the instructions in “Making Display Panel Adjustments.”

You can power on or off with the display panel opened or closed. (It depends on the setting.)

If the MobilePro H/PC is not used for a specific length of time, it automatically shuts off. You can select how long the unit remains on through the Power selection in the Windows Control Panel. On the Windows CE desktop, press the Start button and select Settings to access the Control Panel. (See the software user’s guide for details.)

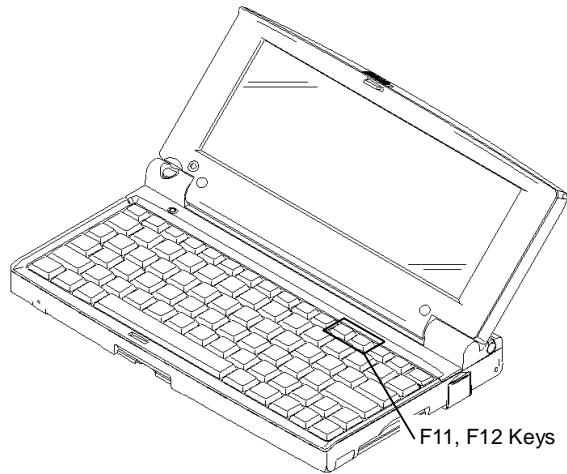
MAKING DISPLAY PANEL ADJUSTMENTS

You can adjust the contrast and backlight features in the MobilePro. Make these adjustments as described in the next two sections, “Contrast” and “Backlight.”

Contrast

Adjust the contrast on the MobilePro H/PC to make it darker or lighter as follows.

1. Open the display panel and power on the unit.
2. Press the **Alt** key and either the less-than/**F11** key or the greater-than/**F12** key simultaneously for the following results:
 - **Alt F11** lightens the screen (less contrast).
 - **Alt F12** darkens the screen (more contrast).



Adjusting the contrast



You can also adjust the contrast through the Control Panel. See the software user's guide for details.

Backlight

You can toggle the backlight setting between standard and full by pressing the Backlight button.



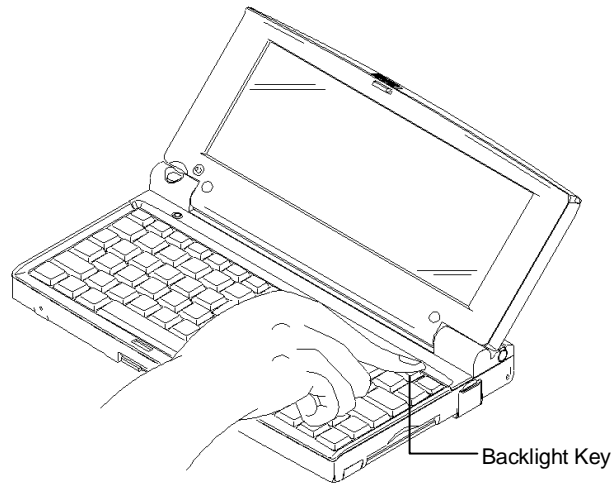
Keeping the backlight full depletes the battery twice as fast as when the backlight is standard.

Using the backlight set to full while using the AC Adapter does not deplete the battery.

When you turn on the MobilePro, the backlight setting is always standard.

Toggle the backlight as follows.

1. Open the display panel and locate the Backlight key on upper-right side of the keyboard.
2. With power on, press the Backlight key to toggle the backlight between standard and full.



Toggle the backlight

APPLICATION SHORTCUT KEYS

The MobilePro H/PC has programmable function keys (**F1** to **F10** keys) that let you launch applications directly. The key defaults are listed in the following table.

Default Application Shortcut Keys

KEY	APPLICATION
F1	Inbox
F2	Microsoft Internet Pocket Explorer
F3	Calendar
F4	Contacts
F5	Tasks
F6	Microsoft Pocket Word
F7	Microsoft Pocket Excel
F8	Microsoft Pocket PowerPoint
F9	Calculator
F10	Voice Recorder

Assigning Application Shortcut Keys

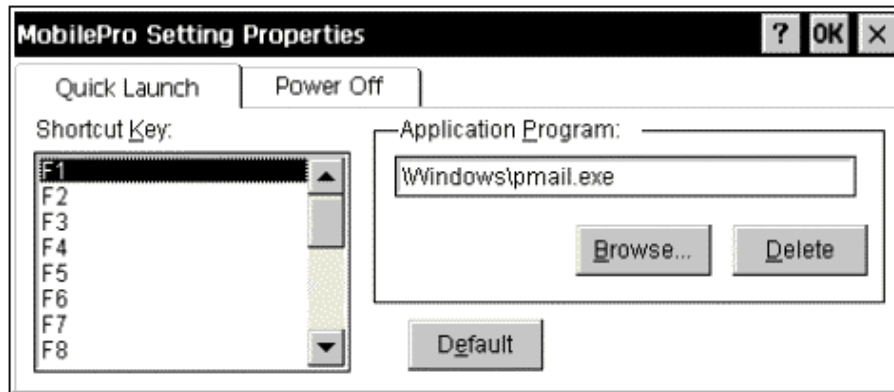
Application launch keys are programmed through the "*MobilePro Settings*" applet in the Control Panel. Using this application you can manually assign programs to function keys F1 through F10 as well as CTRL-F1 through CTRL-F10.

Your MobilePro includes a template that you can attach to the keyboard directly above the function keys. The template provides a quick reference for each key's default function.

Use the following steps to assign application shortcut keys.

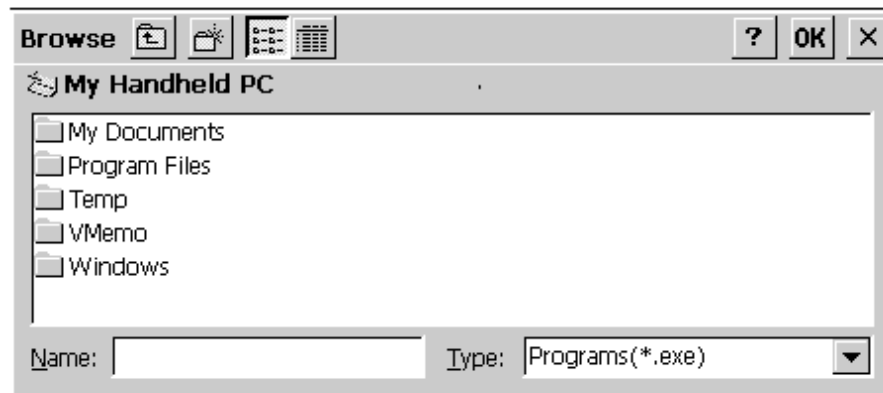
1. Tap Start on the Taskbar to access Settings, then select Control Panel.
2. Double tap on the MobilePro Settings icon to launch the dialog box shown in the following figure.

Be sure you have the "Quick Launch" tab selected.



Settings dialog box

3. Scroll or tap on the shortcut key you want to select. Assign the application using the following buttons:
 - Default — selects the factory-assigned application listed in the Default Application Shortcut Keys table.
 - Browse — opens a directory dialog so you can locate the application you want to assign.



Browse dialog box

-
- Delete — removes the currently assigned application reference so you can select another application.

ENABLING THE DISPLAY LINKAGE SWITCH

You can configure your MobilePro H/PC to power on or off by simply opening or closing the display cover. The display linkage switch acts as a switch for both the power and the backlight.

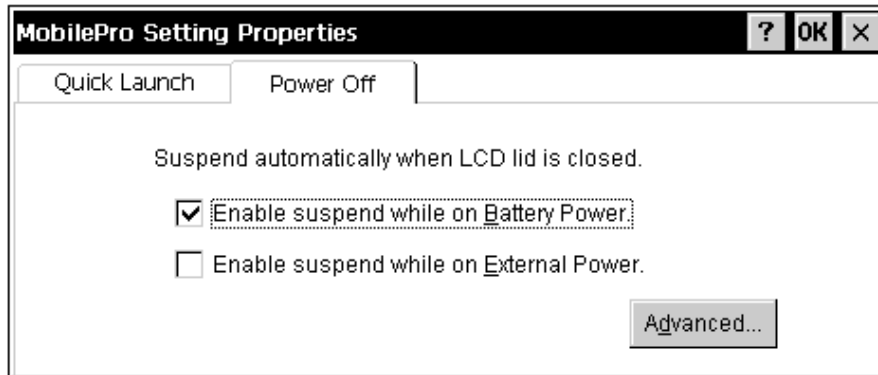
Opening the MobilePro powers on the unit. To power on the unit while it is open, use the Power button.

Closing the MobilePro powers off the unit and insures that the backlight is off as well.

Use the following procedure to enable the display linkage switch.

1. Tap Start on the Taskbar to access Settings, then select Control Panel.
2. Double tap on the MobilePro Settings icon to launch the dialog box shown in the following figure.

Be sure you have the “Power Off” tab selected.



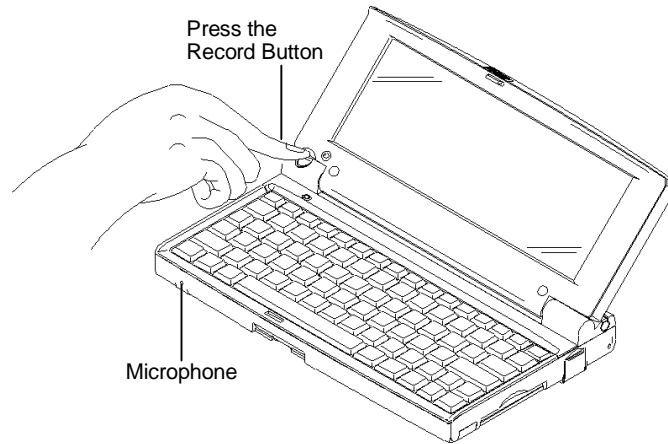
Power off settings

-
3. Select either to enable suspend mode with battery power or external AC power.

VOICE RECORDING

Recording voice memos with the MobilePro is easy, even with the unit closed:

1. Hold your MobilePro with the microphone facing you.
2. Press and hold the Record button. A short beep will sound indicating that you should begin speaking.



Recording voice memos

3. When you are finished speaking release the button. You will hear a beep indicating that the voice memo has been saved.
4. To review or edit your voice memos, run the Voice Memo application. Refer to the next section, "Using the Voice Recorder."



Recording works best if you position the microphone about three inches away from your mouth while speaking.

Memory required for voice memo storage varies depending on user settings. Refer to "Using the Voice Recorder" for further details.

Using the Voice Recorder

The MobilePro H/PC features a voice recorder application that lets you record and play voice memos. The application features its own online documentation detailing how to open, play, and edit audio files.

PC CARDS

Your MobilePro comes with a PC card slot that supports one Type I or one Type II PC card. When using a PC card in the MobilePro, we recommend that you also use AC power. The batteries alone may not provide enough power for some PC cards to operate properly.

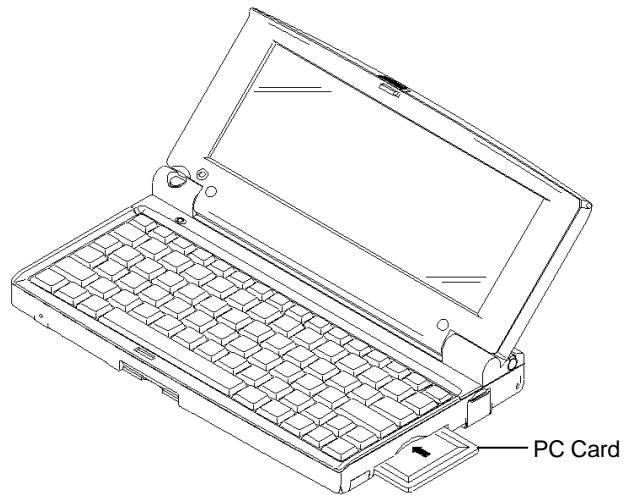


We recommend using the AC adapter when using PC cards or the internal modem. Using the adapter can help you avoid potential data loss caused by the high-energy consumption of some PC cards.

Inserting PC Cards

Follow these procedures to install a PC card.

1. Save your data and power off the MobilePro.
2. With the PC card facing up, insert it into the PC card slot.



Inserting a PC card

3. Verify that the PC card is fitted securely into position.



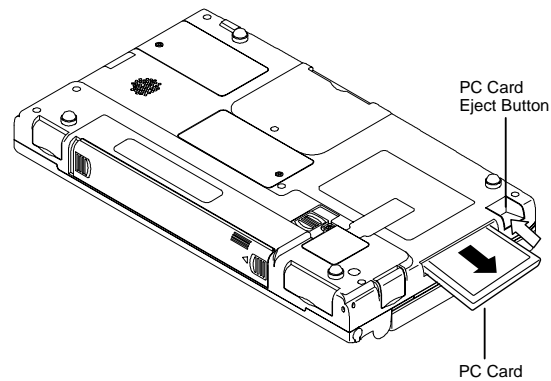
CAUTION

Make sure you align the PC card correctly for insertion. Inserting a PC card incorrectly can damage the card and/or the MobilePro.

Removing PC Cards

Remove a PC card from the MobilePro as follows:

1. Save your data and power off the MobilePro.
2. Locate the PC card slot's Eject button and press it to release the card from the slot.



Removing a PC card

3. Once the card is released, pull it the rest of the way out of the slot.

COMPACT FLASH CARDS

Your MobilePro comes with a Compact Flash card slot that supports one Compact Flash card. When using a Compact Flash card in the MobilePro, we recommend that you also use AC power. The batteries alone may not provide enough power for some Compact Flash cards to operate properly.

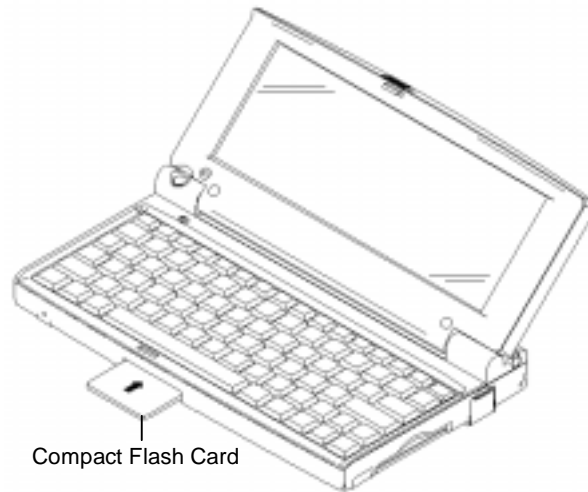


We recommend using the AC adapter when using Compact Flash cards. Using the adapter can help you avoid potential data loss caused by the high-energy consumption of some Compact Flash cards.

Inserting Compact Flash Cards

Follow these procedures to install a Compact Flash card.

1. Save your data and power off the MobilePro.
2. With the Compact Flash card facing up, insert it into the Compact Flash card slot.



Inserting a Compact Flash card

3. Verify that the Compact Flash card is fitted securely into position.



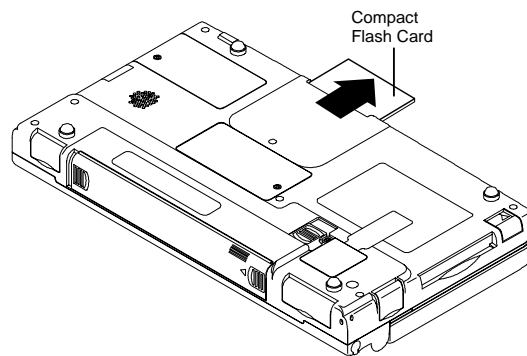
CAUTION

Make sure you align the Compact Flash card correctly for insertion. Inserting a Compact Flash card incorrectly can damage the card and/or the MobilePro.

Removing Compact Flash Cards

Remove a Compact Flash card from the MobilePro as follows:

1. Save your data and power off the MobilePro.
2. Release the card from the slot by pulling it out with your fingertips.



Removing a Compact Flash card

TRANSFERRING DATA

With the MobilePro H/PC, you can send and receive data to and from another similarly equipped device using the infrared (IrDA) communication port. Communicate with another MobilePro as follows.

1. Open the display panels on the two MobilePro units that you want to use for communication.
2. Position the MobilePro units so that communication ports face each other. Position the units from 0 to 20 inches apart.



Positioning the MobilePros

3. Be sure that nothing obstructs the path between the communication ports on both units, and that the ports are aligned properly.

-
4. Send your data by using the “Send To” selection in the Windows CE Pocket Explorer File menu.

Highlight the file you wish to transfer and choose “Infrared Recipient” from the Send To selections. Your file will be transferred to the other MobilePro. The receiving MobilePro can use the File/Receive command to receive the infrared transmission.



If the units are too far apart or if something blocks the path between the two ports, data may not be sent or received correctly.

CONNECTING EXTERNAL DEVICES

A number of external accessories come with your MobilePro to help you optimize unit performance. They include the following:

- AC Adapter
- PC Connect Cable (serial cable)
- VGA Cable
- Telephone Line

The following sections provide instructions for connecting these accessories.

Connecting the AC Adapter

NEC recommends using the AC adapter if you

- have your MobilePro H/PC on for long periods
- are recharging the battery pack
- are using PC cards or Compact Flash cards

-
- are using the internal modem

Using AC power saves battery life for when you are on the go and helps prevent data loss.



CAUTION

Follow these precautions whenever you use the AC adapter and the MobilePro.

- When using the AC adapter, make sure the AC outlet is near the MobilePro and easily accessible.
- Keep the main battery installed when running on AC power.
- When communicating or sending transmissions for a long time, use the AC adapter to conserve power.

Connect the AC adapter as follows:

1. Insert the plug on the AC adapter cable into the AC power port on the left side of the MobilePro.
2. Plug the AC adapter into a working AC outlet.
3. Power on the MobilePro.

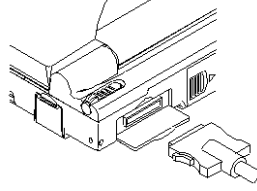
Connecting the PC Connect Cable

The PC Connect serial cable lets you connect the MobilePro directly to a desktop or notebook computer.

You can also use the cable along with a DB9 Male/Male null modem adapter to connect an external modem or other serial device to your MobilePro. (The adapter does not ship with the MobilePro but can be purchased at a computer retail store.)

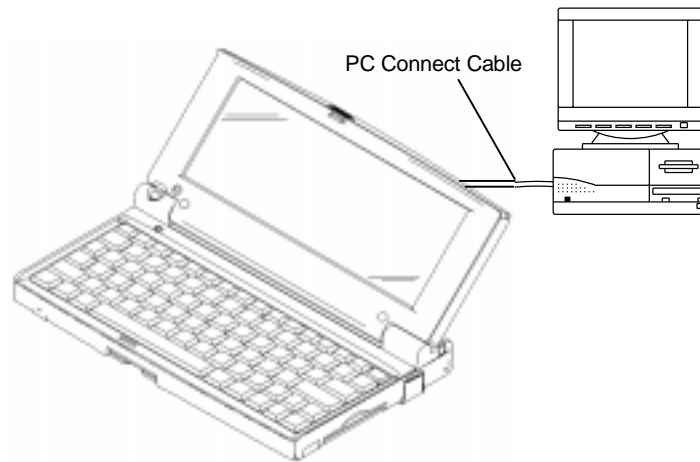
Connect the cable as follows:

1. Locate the serial port cover on the MobilePro, and open it.
2. Align and attach the connector on the PC Connect Cable to the serial port on the MobilePro.



Connecting the PC Connect cable

3. Connect the other end of the cable to the serial port on your desktop or notebook computer.



Connecting the cable to the computer

-
4. For an external modem, connect the other end of the cable to the null modem adapter, then connect the adapter to the modem cable. The maximum data rate will be 19,200 bps unless you alter the default setting for the MobilePro serial port.



CAUTION

Make sure you properly align the cable connectors and ports. Incorrect connection can damage the MobilePro H/PC and the computer.

Connecting the VGA Cable

The VGA Direct Connection cable lets you connect the MobilePro directly to a MultiSync monitor that has VGA output.

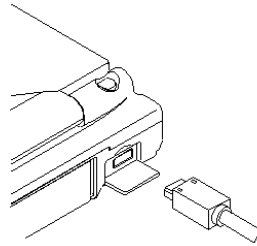


You can only display Microsoft Pocket PowerPoint files using an external monitor. Windows CE 2.0 doesn't provide additional external display support.

Connect the cable as follows:

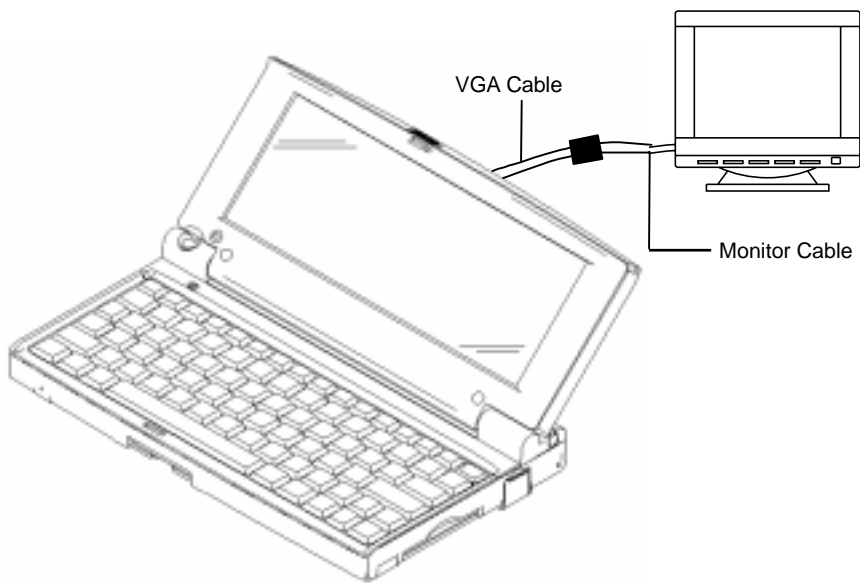
1. Locate the VGA port cover on the MobilePro and open it.

-
2. Align and attach the connector on the MobilePro VGA cable to the VGA port on the MobilePro.



Connecting the VGA cable

3. Connect the other end of the VGA cable to the monitor cable connector. Power on the external monitor.
4. Launch Microsoft Pocket PowerPoint and open the file you want to show.
5. Access the “Set Up Show...” selection from the Tools menu and set the entry in the “View Show on” drop-down field to “External VGA.”
6. Select “View Show” from the View menu.



Connecting the cable to the monitor



CAUTION

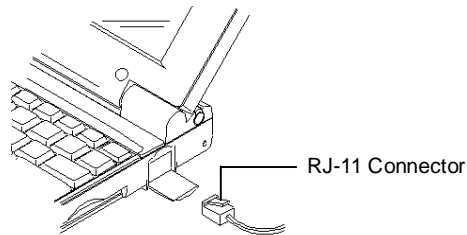
Make sure you properly align the cable connectors and ports. Incorrect connection can damage the MobilePro H/PC and the monitor.

Connecting the Internal Modem

Use the following steps to connect a phone cable to the internal modem.

1. Locate the modem cover on the MobilePro and open it by pulling down the top of the cover.
2. Carefully plug the RJ-11 connector into the modem connector.

-
3. Connect the other RJ-11 connector into an active (analog) phone jack.



Connecting the telephone line

⚠ WARNING

Do not connect the internal modem to a digital private branch exchange connector, or the digital side of an integrated digital network. Use only analog phone connections. Failure to do so may result in explosion or fire.

During thunderstorms be sure to disconnect the modem phone cable from the MobilePro H/PC. Failure to do so may result in explosion or fire.

REMOTE ACCESS SERVICE SETUP

You can easily send and receive email messages using the features provided by Microsoft Pocket Outlook. Using the Inbox through a Microsoft NT Server remote access service (RAS) account you can access your corporate email account. Other network types may be different.

Use these steps to configure your MobilePro's internal modem after you have established a RAS account.

-
1. Press Start on the Taskbar and scroll up to Programs. Access the Communications selection and open Remote Networking.
 2. Double tap on Make a New Connection, and name it “On-board Modem.”
 3. In the dialog box, Dial Up Connection, select the port for the on board Modem.
 4. Press TCP/IP Settings and be sure that the checkboxes in the General tab and Name Servers tab are enabled.
 5. Tap OK and Next to continue. Enter your RAS telephone number (provided by your system administrator).
 6. Tap Finish to close the Dial Up Connection setup.
 7. Open Inbox and tap the Options button on the Toolbar to open the Options dialog box.
 8. Tap on the Services tab, and tap Add... to open the Services list.
 9. Select Internet Mail and double tap on it. When prompted, type in a unique name (for example, “Dial Up”) and tap OK.
 10. Fill in the required fields in the Service Definition dialog box. These include:
 - Connection – select the Onboard Modem.
 - POP3 Host – obtain this number from your system administrator.
 - User ID and Password – your corporate codes.Enter the optional SMTP Host provided by your system administrator and your corporate Internet email address in the return address field.

-
11. Select any other features you want to enable, then press Finish. You can now access your corporate email remotely using your MobilePro.

PRINTING YOUR DOCUMENTS

You can print documents created in Microsoft Pocket applications directly from your MobilePro. Select Print... from the Microsoft Pocket application's File menu.

Use a printer that supports PCL emulation connected to the MobilePro serial port, or print via the infrared port if the printer has an infrared port. Refer to the documentation that comes with your printer to set it for PCL emulation and serial or infrared communication. The serial cables for the MobilePro and printer must be connected to each other by a null modem adapter.

UPGRADING ROM/RAM

You can upgrade MobilePro ROM/RAM by replacing the currently installed ROM/RAM module with an upgraded ROM/RAM module.



Changing the RAM or ROM module erases all user data and program memory. Make sure you perform a full backup to your desktop or notebook before continuing.

Upgrade ROM/RAM as follows:

1. Save your data to a notebook or desktop computer, power off the MobilePro, and close the display panel.
2. Disconnect any peripheral devices attached to the MobilePro, such as the AC adapter.

-
3. Remove the main and back-up batteries. See “Battery Replacement” for details.
 4. Turn over the MobilePro and locate the screw that secures the ROM or RAM bay cover.
 5. Using a small screwdriver, remove the screw and the bay cover. (The MobilePro does not power on when the ROM bay cover is removed.)
 6. With the small screwdriver, remove the screw on the ROM or RAM module.
 7. Gently lift up the ROM or RAM module to disconnect it from its connector and remove it from the bay.
 8. Insert the upgraded ROM or RAM module into the bay, aligning the connector on the module with the one in the bay.
 9. Gently press on the module just above the connectors until the connection is secure.
 10. Replace the bay cover and cover screw.
 11. Install the main and back-up batteries. See “Installing Batteries” for details.



The MobilePro will not power on unless the ROM bay cover is secure and the battery lock is in the locked position.

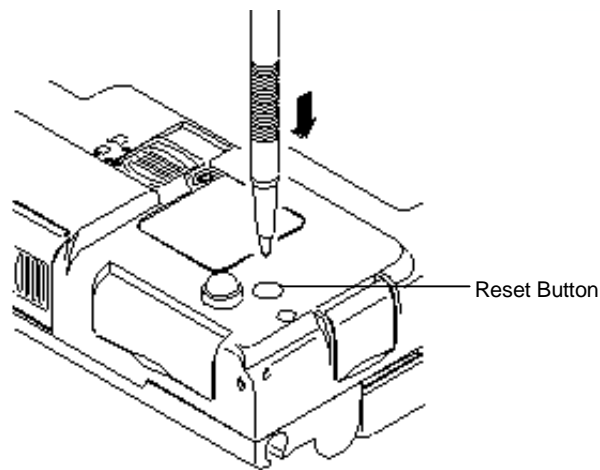
RESETTING THE MobilePro

Occasionally, you may need to reset your MobilePro H/PC. Before resetting the MobilePro, back up your data to the desktop or notebook computer, if possible.

When you reset the MobilePro, you may lose stored data and unit parameter settings.

Reset the MobilePro as follows.

1. Remove the stylus from its holder and open the display panel.
2. Power on the MobilePro. (You cannot reset the unit without the power on.)
3. Close the display panel and turn the MobilePro over.
4. Locate the Reset button on the bottom of the MobilePro.
5. Using the stylus, press the Reset button. This resets the unit.



Resetting the MobilePro

4 Troubleshooting

Your MobilePro H/PC is designed to provide many hours of service while you are at home or on the road.

For optimum performance, frequently back up and synchronize the MobilePro data with your notebook or desktop computer. Then if something happens, most of your data is still available. If you have problems, check the information in the following table for possible solutions.

Troubleshooting

PROBLEM	RESOLUTION
The MobilePro has no power.	<p>Check the main battery.</p> <p>Check the back-up battery.</p> <p>If you are using an AC adapter, make sure the connections are correct and secure.</p> <p>Make sure the battery bay cover lock is in the locked position.</p> <p>Check that the ROM bay cover is properly secure.</p>
Nothing appears on the screen.	<p>Try pressing the Power button again (the unit might have turned itself off if it was not used for a specified time).</p> <p>Adjust the contrast.</p> <p>Check the power connections.</p>

Troubleshooting (cont'd)

PROBLEM	RESOLUTION
Nothing appears on the screen. (cont'd)	<p>Try recharging the main battery pack or replacing the sub-battery.</p> <p>Check that the ROM bay cover is properly secure.</p>
A low battery message appears.	<p>Recharge the main battery.</p>
When using a PC card, such as a modem, the unit powers off.	<p>Connect the AC adapter to the unit when using PC cards that require large amounts of energy.</p>
The AC adapter doesn't work.	<p>Make sure that the main battery and back-up battery are installed.</p> <p>Check that the AC adapter connections are secure.</p> <p>Verify that the AC outlet being used is working. Do this by plugging in another electric device, such as a lamp.</p>
The keyboard doesn't respond.	<p>Reset the unit.</p> <p>Check that you have not set the "disable keyboard" of a handwriting recognition application.</p>
The serial port doesn't work.	<p>Check that the cable connections are secure.</p>
The IrDA port doesn't work.	<p>Check that nothing obstructs the path between the transmitting and receiving IR ports.</p> <p>Check the procedure that you are using against the instructions in "Transferring Data" in the software user's guide.</p>

Troubleshooting (cont'd)

PROBLEM	RESOLUTION
The PC card cannot be accessed.	<p>Make sure the card is inserted correctly and seated properly.</p> <p>Connect the unit to AC power using the adapter. Some cards do not operate properly unless the AC adapter is connected.</p>
The touch screen does not respond.	<p>Calibrate the stylus input. (See the software user's guide for calibration instructions.)</p> <p>Reset the unit.</p>
The Reset button does not respond.	<p>Remove the main battery and back-up battery. Reinstall the batteries and make sure they are seated properly. Try resetting the unit again.</p> <p>This procedure results in the loss of the memory contents including all stored data, settings, and files.</p> <p>Be sure to make regular backups.</p>

For further assistance, call NECCSD Support Services:

1-800-632-4525

5 Specifications

The following specifications are standard except where noted.

Display

640 x 240, 256 color, backlight, liquid crystal display (LCD) touch-screen

CPU

NEC Vr4111, 80-MHz processor, optimized for Windows CE

User Data Entry Methods

- 80-key QWERTY keyboard with stylus
- Touch panel (input via stylus)

Random Access Memory (RAM)

16 megabytes (MB); expandable to 32MB

Read-Only Memory (ROM)

16 MB

Speaker

One built-in speaker

Infrared (IrDA) Communication

- Baud rate: 115.2 Kbps maximum
- Distance: 0 to 20 inches

Serial Interface

Baud rate — 115.2 Kbps maximum

I/O Ports

- Serial port (Direct Cable connection)
- IrDA port
- VGA port (output)

Modem

- Data — 33.6 Kbps (AT command)
- Fax — 9.6 Kbps (Fax control command Class I)

PC Card Slot

One Type I or Type II slot

Compact Flash Card Slot

One Compact Flash card slot

Power

- Main battery — one rechargeable Lithium-ion (Li-Ion) battery pack (included). Battery life is as follows:
 - With standard backlight, approximately 8 hours under typical operating conditions.
 - With full backlight, approximately 5 hours under typical operating conditions.
- Back-Up Battery — one 3V Lithium battery (CR2032 included)
- Memory backup — approximately 1 week (with depleted main battery) at ambient temperature of 73°F (23°C)

Recharge Time

- Use the AC adapter to recharge the MobilePro main battery
- Recharging time is approximately 4.5 hours when the system is on or off

Accessories

- AC adapter — S1424-21A Listed Direct Plug-In Power Unit
 - Input Voltage - 100 to 240V AC; 60Hz, 13W
 - Output Voltage - 9.5V DC 1000 mA
- Direct Connection Cable
- Modem Cable
- VGA Cable

Dimensions

9.65 in. (W) x 5.43 in. (D) x 1.24/1.5 in. (H)

Weight

1.88 lb. (include batteries)

Operating Environment

- Temperature — 32° to 104°F (0° to 40°C)
- Humidity — 35% to 85% (No condensation)

Storage Environment

- Temperature — 14° to 140°F (-10° to 60°C)
- Humidity — 35% to 85% (No condensation)

Available Options

- Lithium-Ion Rechargeable Battery Pack (S1424-25A)
- Stylus Pack (S1424-17A)
- 32-MB RAM Module (S1424-18B)
- Direct Connection Cable (S1424-12S)
- VGA Cable (S1424-12V)
- AC Adapter (S1424-21A)

A Modem Commands

AT Commands

Command	Description	Default
A/	Repeat last command	
A	Answer a call	
B0	Select ITU-T modulation at 300 and 1200bps	
B1	Select Bell modulation at 300 and 1200bps	X
Dn	Dial, where <i>n</i> = P — Pulse dial T — Tone dial W — Wait for dial tone , — Pause ! — Flash hook @ — Wait for 5 seconds silence ; — Return to command mode ^ — Toggle calling tone enable/disable	
E0	Disable command echo	
E1	Enable command echo	X
H0	Go on-hook	
H1	Go off-hook	
L0	Set lowest speaker volume	
L1	Set speaker volume to low	X
L2	Set speaker volume to medium	
L3	Set speaker volume to high	
M0	Speaker is always off	
M1	Speaker is on during call connection	X
M2	Speaker is always off	
M3	Speaker is off during dialing and on during call connection	

AT Commands (cont'd)

Command	Description	Default
O0	Go into online data mode without retrain sequence	
O1	Go online data mode with retrain sequence	
P	Set pulse dial	
Q0	Enable result code	X
Q1	Disable result code	
Sn=m	Write <i>m</i> to S-register <i>n</i>	
Sn?	Return the value of S-register <i>n</i>	
T	Set dial tone	
V0	Set numeric result code	
V1	Set verbose result code	X
W0	CONNECT reports DTE speed	X
W1	CONNECT reports DTE speed, carrier speed and protocol	
W2	CONNECT reports carrier speed	
X0	Report CONNECT message only Ignore dial tone and busy signal	
X1	Report CONNECT message according to ATW Ignore dial tone and busy tone signal	
X2	Report CONNECT message according to ATW Ignore busy signal	
X3	Report CONNECT message according to ATW Ignore dial tone	
X4	Report CONNECT message according to ATW	X
Y0	Disable long space disconnect	X
Y1	Enable long space disconnect	
Z	Soft reset	
&C0	CD is always on	
&C1	CD follows the state of carrier	X
&D0	Ignore DTR	

AT Commands (cont'd)

Command	Description	Default
&D1	Go to command mode on ON-to-OFF DTR transition	
&D2	Hang-up and go to command mode on ON-to-OFF DTR transition. Disable auto answer	X
&D3	Reset on ON-to-OFF DTR transition	
&F	Recall default setting	
&G0	Disable guard tone	X
&G1	Disable guard tone	
&G2	Enable 1800Hz guard tone	
&K0	Disable flow control	
&K3	Enable RTS/CTS flow control	X
&K4	Enable XON/XOFF flow control	
&K5	Enable transparent XON/XOFF flow control	
&K6	Enable both RTS/CTS and XON/XOFF flow control	X Fax
&P0	Set 10pps pulse dial with 39% make/break ratio	X
&P1	Set 10pps pulse dial with 33% make/break ratio	
&P2	Set 20pps pulse dial with 39% make/break ratio	
&P3	Set 20pps pulse dial with 33% make/break ratio	
&Q0	Select direct asynchronous operation	
&Q5	Select to try a reliable (error-corrected) link	X
&Q6	Select normal (speed-buffering) mode	
&S0	DSR always active	
&S1	DSR is on during carrier is detected	X
&V	Display current configuration	
\N0	Select normal mode connection	

AT Commands (cont'd)

Command	Description	Default
\N1	Select normal mode connection	
\N2	Select LAPM and MNP connection	
\N3	Select LAPM, MNP and normal mode connection	X
\N4	Select only LAPM connection	
\N5	Select only MNP connection	
\V0	Disable extended result code	
\V1	Enable extended result code	
%C0	Disable data compression	
%C1	Enable MNP 5 data compression negotiation	
%C2	Enable V.42 bis data compression	
%C3	Enable both V.42 bis and MNP5 data compression	X
+MS	Select modulation (see the next table for values) The command format is: +MS=<mod>,<automode>,<min_rate>,<max_rate>	

Modulation Values		
<mod>	Modulation	Possible Rate
0	V.21	300
1	V.22	1200
2	V.22 bis	2400, 1200
9	V.32	9600, 4800
10	V.32 bis	14400, 12000, 9600, 7200, 4800
11	V.34	33600, 31200, 28800, 26400, 24000, 21400, 19200, 16800, 14400, 12000, 9600, 7200, 4800, 2400
<automode>		
0	Disables automatic modulation negotiation	
1	Enables automatic modulation negotiation using V.8 bis/V.8 or V.32 bis Annex A.	

S-Registers

Register	Function	Range	Units	Default
S0	Rings to Auto answer	0-255		0
S1	Ring Counter	0-255		
S2	Escape Character	0-255	ASCII	43
S3	Carriage Return Character	0-255	ASCII	13
S4	Line Feed Character	0-255	ASCII	10
S5	Backspace Character	0-255	ASCII	8
S6	Wait Time for Dial Tone	2-255	s	2
S7	Wait Time for Carrier	1-255	s	50
S8	Pause Time for Dial Delay Modifier	0-255	s	2
S9	Carrier Detect Response Time	1-255	0.1s	6
S10	Carrier Loss Disconnect Time	1-255	0.1s	14
S11	DTMF Tone Duration	20-255	ms	95
S12	Escape Prompt Delay	0-255	0.02s	50
S24	Sleep Inactivity Timer	0-255	s	0
S25	Delay to DTR Off	0-255	0.01s	5
S26	RTS-CTS Delay	0-255	0.01s	1
S29	Flash Dial Modifier	0-255	0.01s	70
S30	Disconnect Inactive Timer	0-255	10s	0
S32	XON Character	0-255	ASCII	17
S33	XOFF Character	0-255	ASCII	19
S36	LAPM Failure Control			7
S37	Line Connection Speed			0
S38	Delay Before Force Hang-up	0-255	s	20
S46	Data Compression Control			
S48	V.42 Negotiation Control			

Result Codes

Numeric	Verbose
0	OK
1	CONNECT
2	RING
3	NO CARRIER
4	ERROR
5	CONNECT 1200
6	NO DIAL TONE
7	BUSY
8	NO ANSWER
9	CONNECT 0600
10	CONNECT 2400
11	CONNECT 4800
12	CONNCECT 9600
13	CONNECT 7200
14	CONNECT 12000
15	CONNECT 14400
16	CONNECT 19200
17	CONNECT 38400
18	CONNECT 57600
19	CONNECT 115200
33	FAX
35	DATA
40	CARRIER 300
46	CARRIER 1200
47	CARRIER 2400
48	CARRIER 4800
49	CARRIER 7200
50	CARRIER 9600
51	CARRIER 12000
52	CARRIER 14400
53	CARRIER 16800
54	CARRIER 19200
55	CARRIER 21600

Result Codes (cont'd)

56	CARRIER 24000
57	CARRIER 26400
58	CARRIER 28800
59	CONNECT 16800
61	CONNECT 21600
62	CONNECT 24000
63	CONNECT 26400
64	CONNECT 28800
66	COMPRESSION: CLASS5
67	COMPRESSION: V.42 bis
69	COMPRESSION: NONE
70	PROTOCOL: NONE
77	PROTOCOL: LAPM
78	CARRIER 31200
79	CARRIER 33600
80	PROTOCOL: ALT
84	CONNECT 33600
91	CONNECT 31200
+F4	+FCERROR

Index

A

AC

- adapter, 2-4, 3-17
- power port, 2-4

Application shortcut keys, 3-5

Assigning shortcut keys, 3-6

Audio application

- using, 3-10

Audio memos, 3-9

B

Backlight, 3-4

Backlight key, 2-3

Back-up batteries

- battery low message, 2-13
- replacement, 2-12

Battery

- cover lock, 2-5
- installation, 1-3
- precautions, 2-16
- types, 1-2

C

Caring for the MobilePro, 2-17

Cleaning your MobilePro, 2-20

Compact Flash card, 2-4

- removing, 3-14

Connecting external devices, 3-16

Contrast, 3-3

Control keys, 3-5

D

Data transmission, 3-15

Default keys, 3-5

Desktop system

- connecting to, 3-17

Direct Connection Cable, 3-17, 3-19

Display panel, 2-6

- adjustments, 3-3
- contrast, 3-3
- latch, 2-3

Display Panel

- backlight, 3-4

E

Eject button

- PC card, 2-5

Email

- remote access, 3-22

External modem, 3-17

F

Features

AC Power port, 2-4

Backlight key, 2-3

Battery cover lock, 2-5

bottom, 2-4

Compact Flash card slot, 2-4

display panel latch, 2-3

infrared port, 2-6

keyboard, 2-4

LCD Panel/Touch Panel, 2-3

main battery bay cover, 2-6

microphone, 2-4

modem, 2-3

Notification LED, 2-4

-
- PC card eject button, 2-5
 - PC card slot, 2-4
 - RAM bay cover, 2-5
 - Record button, 2-4
 - Reset button, 2-5
 - ROM bay cover, 2-5
 - serial port, 2-5
 - speaker, 2-6
 - stylus, 2-3
 - summary listing, 1-1
 - VGA port, 2-6
 - Finding the stylus, 2-7
 - Function keys, 3-5
- I**
- Inbox
 - setup for RAS, 3-22
 - Infrared port, 2-6
 - Inserting PC cards, 3-10, 3-12
- K**
- Keyboard, 2-4
- L**
- LCD/Touch Panel
 - enabling for power control, 3-8
- M**
- Main batteries
 - replacement, 2-10
 - Main battery bay cover, 2-6
 - Making display panel adjustments, 3-3
 - Microphone, 2-4
 - Microsoft Pocket PowerPoint
 - displaying on external monitor, 3-19
- MobilePro
 - care, 2-17
 - features, 1-1
 - Modem, 2-3
 - external, 3-17
 - internal, 3-21
 - using, 3-21
 - Monitor
 - connecting to, 3-19
- N**
- Notebook system
 - connecting to, 3-17
 - Notification LED, 2-4
- O**
- Opening the display panel, 2-6
- P**
- PC card
 - eject button, 2-5
 - inserting, 3-10, 3-12
 - removal, 3-12
 - slot, 2-4
 - Power
 - off, 3-2
 - on, 3-2
 - Precautions, 2-18
 - Printing, 3-24
 - Problem solving, 4-1
- Q**
- Quick start
 - instructions, 1-2
- R**
- RAM
 - bay cover, 2-5

- upgrading, 3-24
- RAS setup, 3-22
- Record switch, 2-4
- Removing the stylus, 2-7
- Replacing batteries, 2-9
- Reset button, 2-5
- Resetting the MobilePro, 3-25
- ROM
 - bay cover, 2-5
 - upgrading, 3-24

S

- Serial port, 2-5
- Setting a MobilePro time-out, 3-3
- Setup
 - desktop software, 1-7
 - first-time instructions, 1-2
 - MobilePro Software Suite, 1-7
- Setup Wizard
 - using, 1-5
- Shortcut keys, 3-5
- Specifications, 5-1
- Storage requirements, 2-19
- Stylus, 2-3, 2-7
- System
 - resetting, 3-25

T

- Touch panel
 - calibration, 1-5
- Transmitting data, 3-15
- Troubleshooting, 4-1

U

- Upgrading
 - ROM/RAM, 3-24

V

- VGA port, 2-6, 3-19
- Voice Recorder
 - using, 3-10

W

- Windows CE
 - desktop software setup, 1-7

BATTERY REPLACEMENT

WARNING

There is a danger of explosion if the battery is incorrectly replaced. Replace only with the same or equivalent type recommended by the manufacturer. Discard used batteries according to the manufacturer's instructions.

ATTENTION

Il y a danger d'explosion s'il y a remplacement incorrect de la batterie. Remplacer uniquement avec une batterie du même type ou d'un type recommandé par le constructeur. Mettre au rebut les batteries usagées conformément aux instructions du fabricant.

BATTERY DISPOSAL

The main battery is a Lithium-Ion (Li-Ion) battery. The back-up (sub) battery is a Lithium battery.

Contact your local waste management officials for other information regarding environmentally sound collection, recycling, and disposal of Lithium-Ion and Lithium batteries. For additional information on the proper collection or disposal of rechargeable batteries, please call 1-800-8-BATTERY.

(For United States Use Only)

**FEDERAL COMMUNICATIONS COMMISSION
RADIO FREQUENCY INTERFERENCE STATEMENT**

 **WARNING**

Changes or modifications to this unit not expressly approved by the party responsible for compliance could void the user's authority to operate the equipment.



This is a Class B Digital Device. This equipment has been tested and found to comply with the limits for a Class B digital device, pursuant to Part 15 of the FCC Rules. These limits are designed to provide reasonable protection against harmful interference in a residential installation. This equipment generates, uses and can radiate radio frequency energy and, if not installed and used in accordance with the instructions, may cause harmful interference to radio communications.

FCC PART 68

This equipment complies with Part 68 of FCC rules. On the bottom of this equipment is a label that contains, among other information, the FCC registration number and ringer equivalence number (REN) for this equipment. If requested, this information must be provided to the telephone company.

All applicable registration jack USOCs, any facility interface codes and service order codes associated with the service the equipment must be connected.

The REN is used to determine the quantity of devices that may be connected to the telephone line. Excessive RENs on the telephone line may result in the devices not ringing in response to an incoming call. In most, but not all areas, the sum of

the RENs should not exceed five (5). To be certain of the number of devices that may be connected to the line, as determined by the total RENs contact the telephone company to determine the maximum REN for the calling area.

If the MobilePro causes harm to the telephone network, the telephone company will notify you in advance that temporary termination of service may be required. But if advance notice isn't possible, the telephone company will notify the customer as soon as possible. Also, you will be advised of your right to file a complaint with the FCC if you believe it is necessary.

The telephone company may make changes in its facilities, equipment, operations, or procedures that could affect the operation of the equipment. If this happens, the telephone company will advise you in advance to make the necessary modifications to maintain uninterrupted service.

If you have trouble with the MobilePro, please contact NECCSD Support Services at 1-800-632-4525 for repair and warranty information. If the trouble is impacting the telephone network, the telephone company may request you remove the equipment from the network until the problem is resolved.

The equipment cannot be used with public coin telephones provided by the telephone company. Connection to Party Line Service is subject to state tariffs. (Contact the state public utility commission, public service commission or corporation commission for information.)

The Telephone Consumer Protection Act of 1991 makes it unlawful for any person to use a computer or other electric device to send any message via a telephone fax machine unless such message clearly contains in a margin at the top or bottom of each transmitted page or on the first page of the transmission, the date and time it is sent and an identification of the business or other entity, or other individual sending the message and the telephone number of the sending machine or such business, other entity, or individual. In order to program this information into your MobilePro refer to the bFax manual on the CD-ROM. If you are using a different communication software program, refer to its manual.

IC CS-03

“NOTICE: The Industry Canada label identifies certified equipment. This certification means that the equipment meets telecommunications network protective, operational and safety requirements as prescribed in the appropriate Terminal Equipment Technical Requirements document. The Department does not guarantee the equipment will operate to the user’s satisfaction.

Before installing this equipment, users should ensure that it is permissible to be connected to the facilities of the local telecommunications company. The equipment must also be installed using an acceptable method of connection. The customer should be aware that compliance with the above conditions may not prevent degradation of service in some situations.

Repairs to certified equipment should be coordinated by a representative designated by the supplier. Any repairs or alterations made by the user to this equipment, or equipment malfunctions, may give the telecommunications company cause to request the user to disconnect the equipment.

Users should ensure for their own protection that the electrical ground connections of the power utility, telephone lines and internal metallic water pipe system, if present, are connected together. This precaution may be particularly important in rural areas.

CAUTION: Users should not attempt to make such connections themselves, but should contact the appropriate electric inspection authority, or electrician, as appropriate.”

“NOTICE: The Ringer Equivalence Number (REN) assigned to each terminal device provides an indication of the maximum number of terminals allowed to be connected to a telephone interface. The termination on an interface may consist of any combination of devices subject only to the requirement that the sum of the Ringer Equivalence Number of all the devices does not exceed 5.”

FCC PART 15 CLASS B

NOTICE

This equipment has been tested and found to comply with the limits for a Class B digital device, pursuant to Part 15 of the FCC Rules. These limits are designed to provide reasonable protection against harmful interface in a residential installation. This equipment generates, uses and can radiate radio frequency energy and, if not installed and used in accordance with the instructions, may cause harmful interference to radio communications. However, there is no guarantee that interference will not occur in a particular installation. If this equipment does cause harmful interference to radio or television reception. If this equipment does cause harmful interference to radio or television reception, which can be determined by turning the equipment off and on, the user is encouraged to try to correct the interference by one or more of the following measure:

- Reorient or relocate the receiving antenna.
- Increase the separation between the equipment and receiver.
- Connect the equipment into an outlet on a circuit different from that to which the receiver is connected.
- Consult the dealer or an experienced radio/TV technician for help.

FCC WARNING

Changes or modifications not expressly approved by the party responsible for compliance could void the user's authority to operate the equipment.

Properly shielded and grounded cables and connectors must be used for connection to host computer and/or peripherals in order to meet FCC emission limits.

AC adapter with ferrite core must be used for RF interference suppression.

Declaration of Conformity

This device complies with Part 15 of the FCC Rules. Operation is subject to the following two conditions: (1) this device may not cause harmful interference, and (2) this device must accept any interference received, including interference that may cause undesired operation.

Trade/Model Name:	NEC MobilePro 750C
Model No.(s):	S1424-04A03
Responsible Party:	NEC Computer System Division, A Division of Packard Bell NEC, Inc. 1414 Massachusetts Avenue Boxborough, Massachusetts 01719 1-800-632-4525

Type of Product: Portable Adapter
Equipment Classification: Class B Peripheral

We hereby declare that the equipment specified above conforms to the technical standards as specified in the FCC Rules.